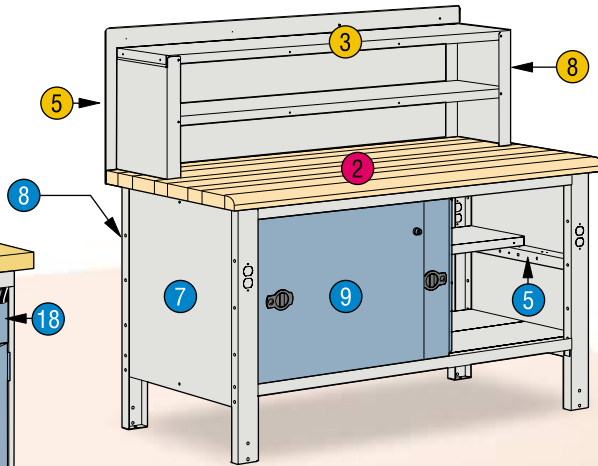
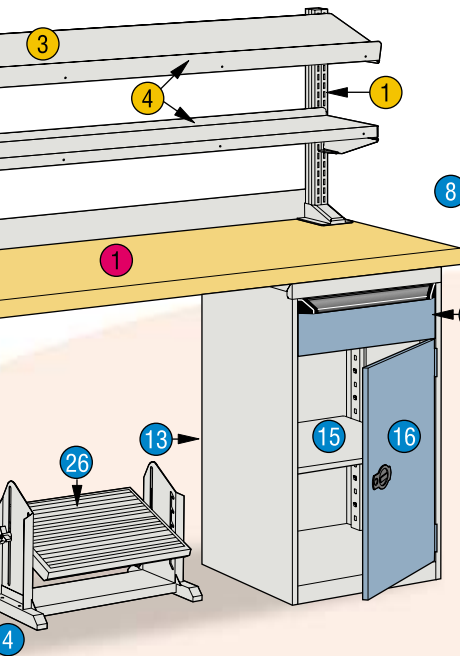


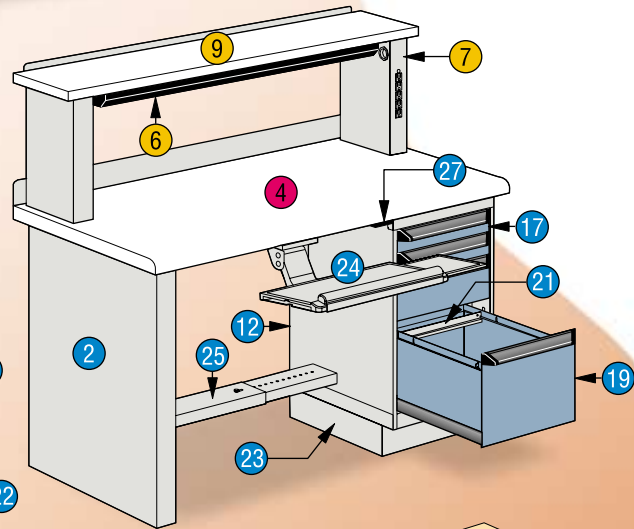
EVERYTHING TO SIMPLIFY YOUR WORK

Page

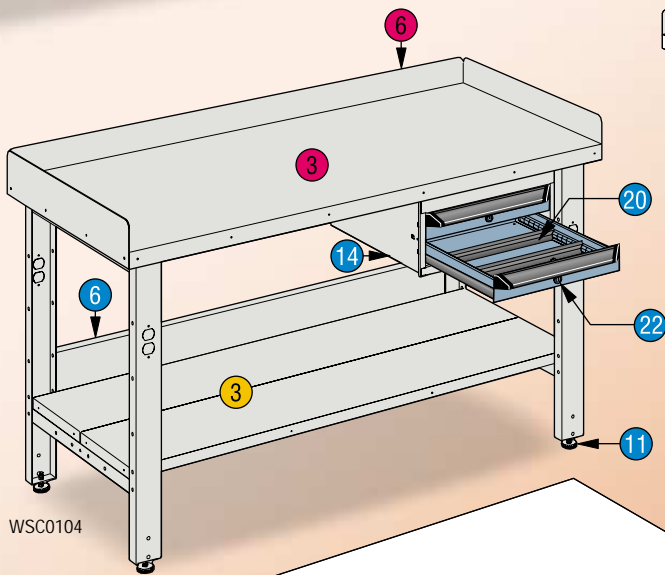
1	Multi-purpose upright	24
2	Structural shelf supports	24
3	Steel shelf	16
4	Shelf back or front stop	23
5	Back panel for riser shelf	23
6	Lighting fixture for riser shelf	25
7	Riser shelf supports	23
8	Riser shelf econo supports	23
9	Dissipative shelf	22



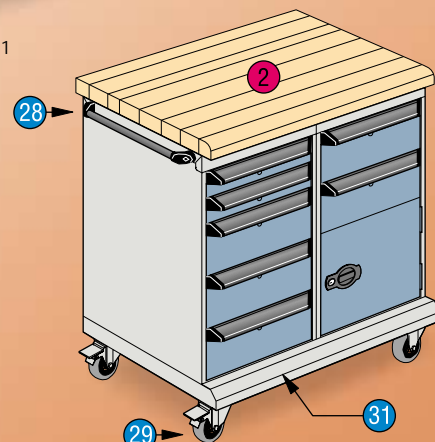
WSC0170



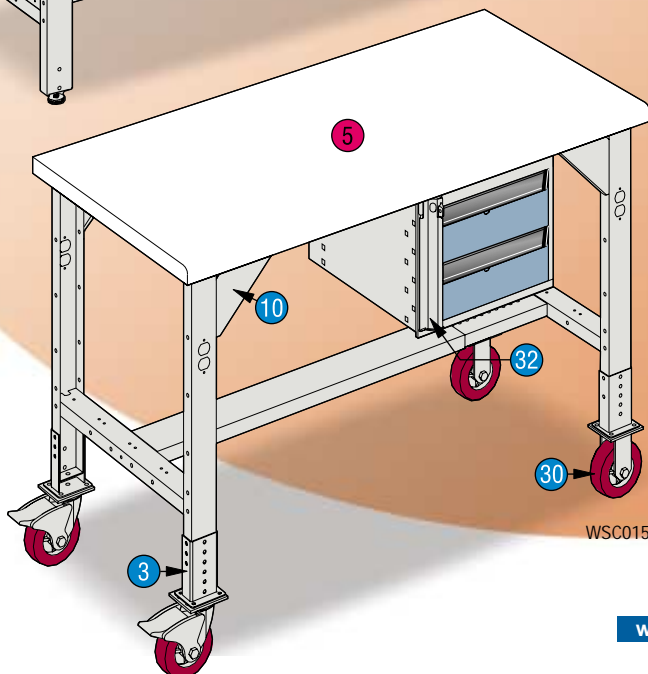
WSC0171



WSC0104



WSC0142



WSC0153